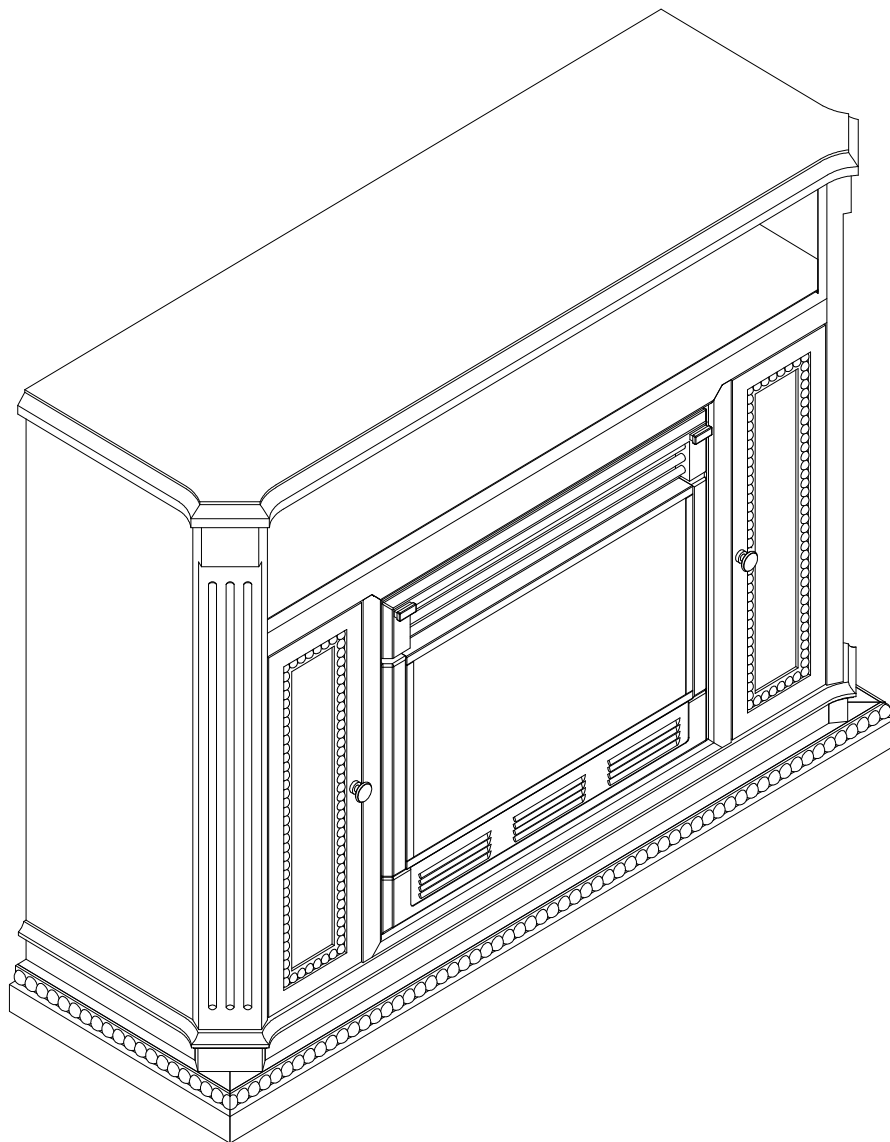


FA935200TX -RICH BROWN
ATKINSON MEDIA
FIREPLACE MANTEL
ASSEMBLY INSTRUCTION



Southern
ENTERPRISES

For assistance with assembly contact:
Southern Enterprises Inc.
Customer Service 1-800-633-5096
service@seidal.com
www.seidal.com

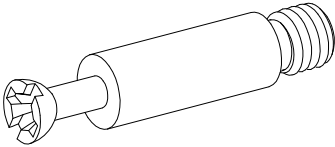
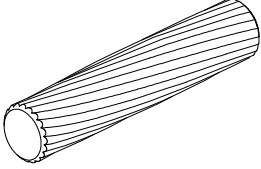
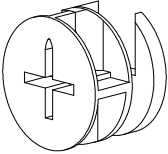
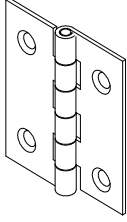
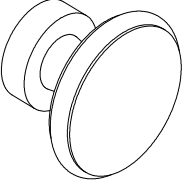
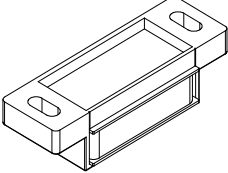
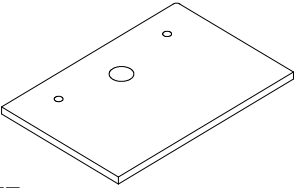
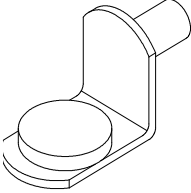
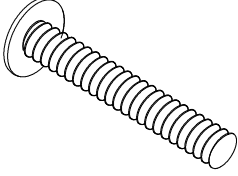
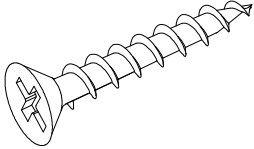
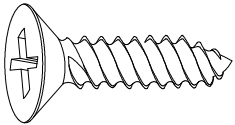
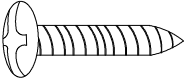
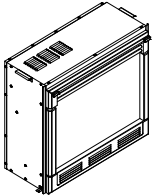


ATKINSON MEDIA FIREPLACE

Parts List

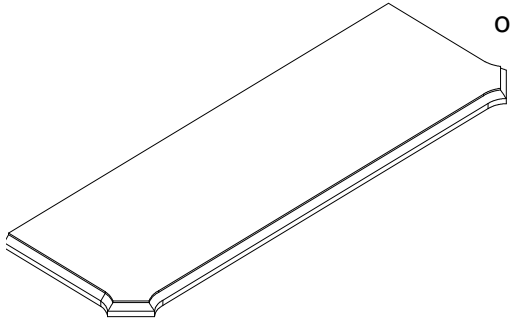
Please review all parts and hardware before disposing of any packaging.
 Call Customer Service if missing hardware. Do not return to store/retailer.
 Using a screw that is too long will cause damage.

Before beginning assembly, separate each type of screw. Carefully study the
 screw diagrams below. You may receive extra hardware with your unit.

<p>A</p>  <p>CAM BOLT</p>	<p>Quantity of 30</p>	<p>B</p>  <p>WOOD DOWEL</p>	<p>Quantity of 24</p>
<p>C</p>  <p>CAM LOCK</p>	<p>Quantity of 30</p>	<p>D</p>  <p>HINGE</p>	<p>Quantity of 4</p>
<p>E</p>  <p>HANDLE</p>	<p>Quantity of 2</p>	<p>F</p>  <p>MAGNET CATCH</p>	<p>Quantity of 2</p>
<p>G</p>  <p>MAGNET PLATE</p>	<p>Quantity of 2</p>	<p>H</p>  <p>SHELF PIN</p>	<p>Quantity of 8</p>
<p>I</p>  <p>BOLT(5/32"*1")</p>	<p>Quantity of 2</p>	<p>J</p>  <p>SCREW(8*25mm)</p>	<p>Quantity of 2</p>
<p>K</p>  <p>SCREW(3*14MM)</p>	<p>Quantity of 18</p>	<p>L</p>  <p>SCREW(3*14MM)</p>	<p>Quantity of 42</p>
<p>M</p>  <p>FIREBOX(IN SEPARATE CARTON)</p>	<p>Quantity of 1</p>		

(1)

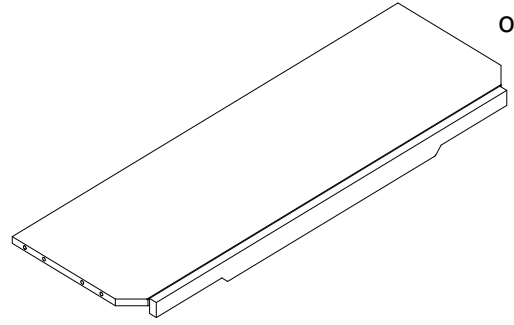
Quantity
of 1



TOP PANEL

(2)

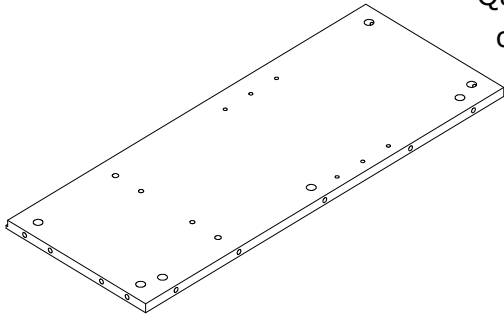
Quantity
of 1



SHELF PANEL

(3)

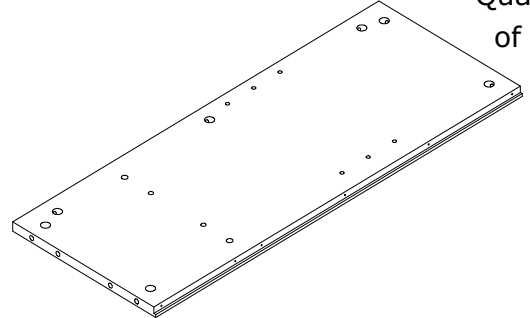
Quantity
of 1



LEFT SIDE PANEL

(4)

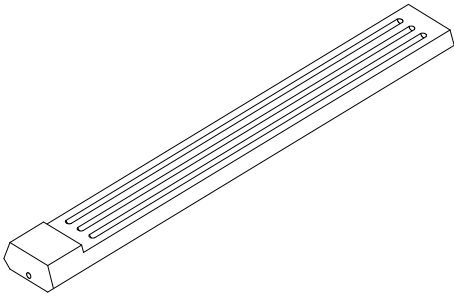
Quantity
of 1



RIGHT SIDE PANEL

(5)

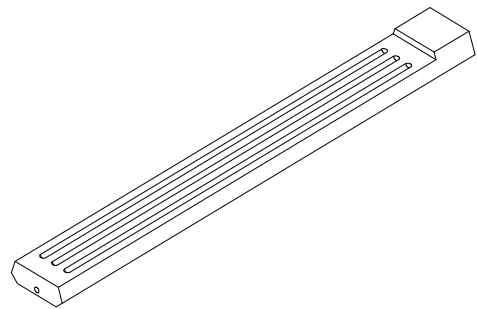
Quantity
of 1



LEFT FRONT PILASTER

(6)

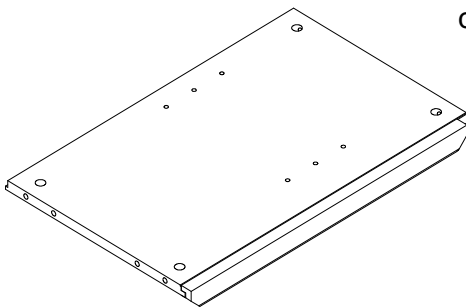
Quantity
of 1



RIGHT FRONT PILASTER

(7)

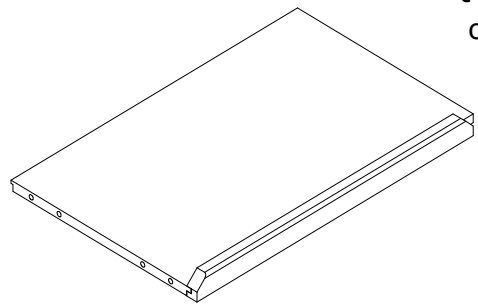
Quantity
of 1



LEFT MIDDLE PANEL

(8)

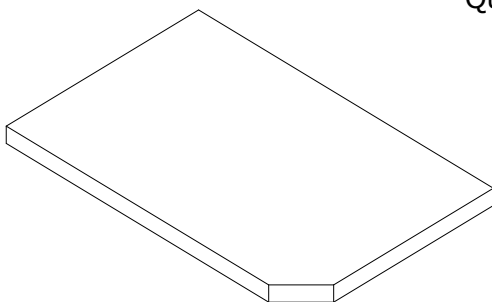
Quantity
of 1



RIGHT MIDDLE PANEL

(9)

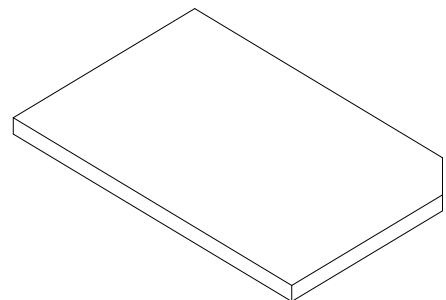
Quantity
of 1



LEFT ADJUSTABLE SHELF PANEL

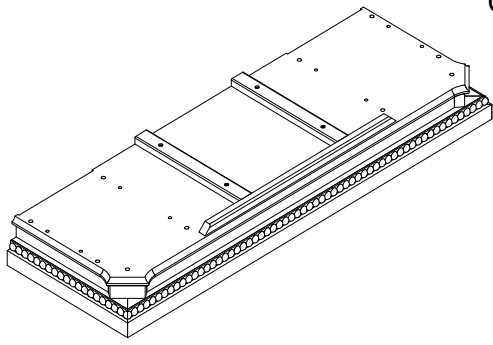
(10)

Quantity
of 1



RIGHT ADJUSTABLE SHELF PANEL

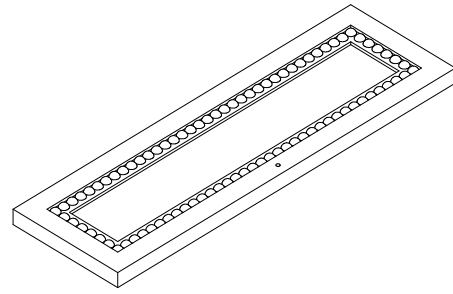
(11)



Quantity of 1

BOTTOM PANEL

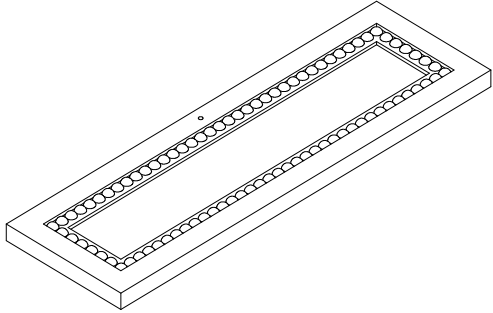
(12)



Quantity of 1

LEFT DOOR

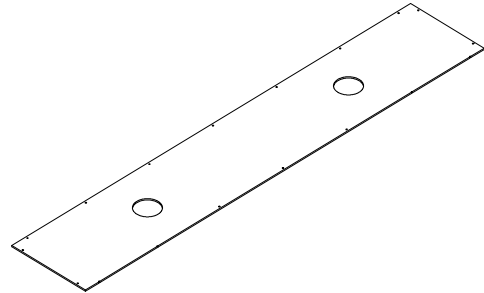
(13)



Quantity of 1

RIGHT DOOR

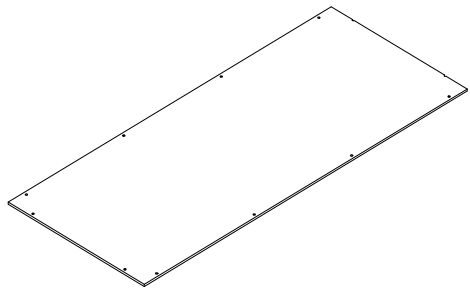
(14)



Quantity of 1

UPPER BACK PANEL

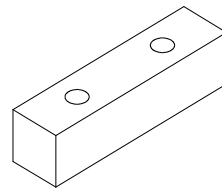
(15)



Quantity of 2

LOWER BACK PANEL

(16)



Quantity of 1

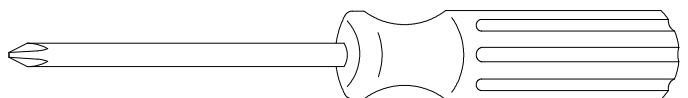
WOOD HOLDER

Care and Cleaning Instructions:

Before using, wipe with a clean, dry cloth. Periodically apply furniture wax to renew the finish. Avoid rubbing or scratching the surface with rough or abrasive objects.

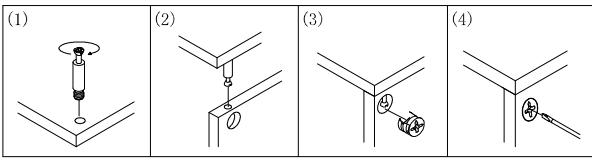
Call Customer Service at 1-800-633-5096 Do not return product to store, please call Manufacturer for assistance, questions or Parts.

**Assembly Tool Required
No.2 Phillips Screwdriver (Not Included)**



ATKINSON MEDIA FIREPLACE

Assembly Instructions



"Please do not over tighten cambolts. Please stop when you feel tight"

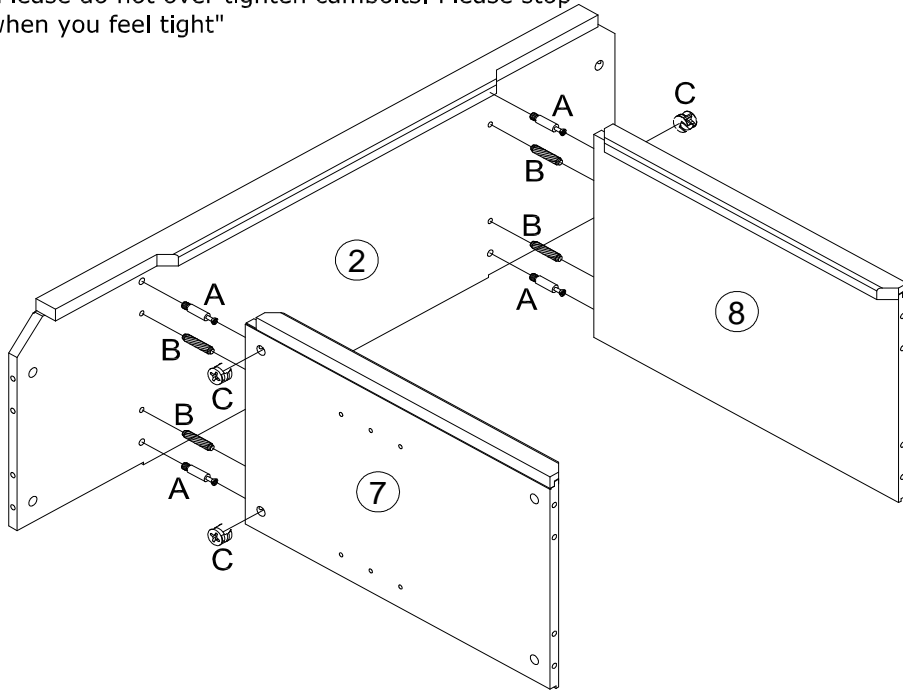


Figure 1

Unpack and lay parts on clean, padded surface like carpet or blanket. Check that you have all parts indicated on the front page

Insert cam locks (C) into predrilled holes on left middle panel (7) & right middle panel (8).
Screw cam bolt (A) into predrilled holes on shelf panel (2).
Attach left middle panel (7) & right middle panel (8) to shelf panel (2) by inserting wood dowel (B) & cam bolt (A) into corresponding predrilled holes until left middle panel (7) & right middle panel (8) & shelf (2) meet.
Secure by rotating cam lock (C) clockwise with Phillips screwdriver.

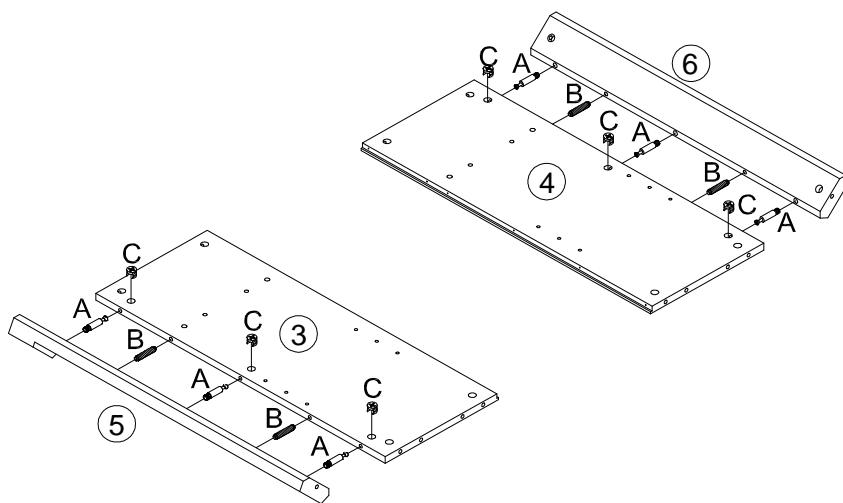


Figure 2

Insert cam locks (C) into predrilled holes on left side panel (3).
Screw cam bolt (A) into predrilled holes on left front pilaster (5) .
Attach left front pilaster (5) to left side panel (3) by inserting wood dowel (B) & cam bolt (A) into corresponding predrilled holes until left side panel (3) & left front pilaster (5) meet.
Secure by rotating cam lock (C) clockwise with Phillips screwdriver.
Repeat with right side panel (4) & right front pilaster (6) as shown.

ATKINSON MEDIA FIREPLACE

Assembly Instructions

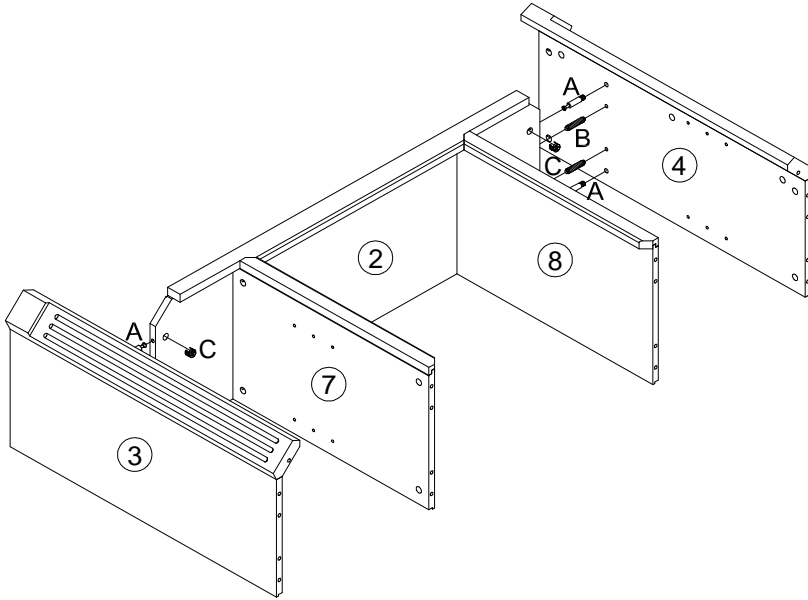


Figure 3

Insert cam locks (C) into predrilled holes on the pre-assembly parts in figure 1 .

Screw cam bolt (A) into predrilled holes on left side panel (3) & right side panel (4) .

Attach left side panel (3) & right side panel (4) to pre-assembly parts in figure 1 by inserting wood dowel (B) & cam bolt (A) into corresponding predrilled holes until assemble parts in figure 1 & left side panel (3) & right side panel (4) meet.

Secure by rotating cam lock (C) clockwise with Phillips screwdriver.

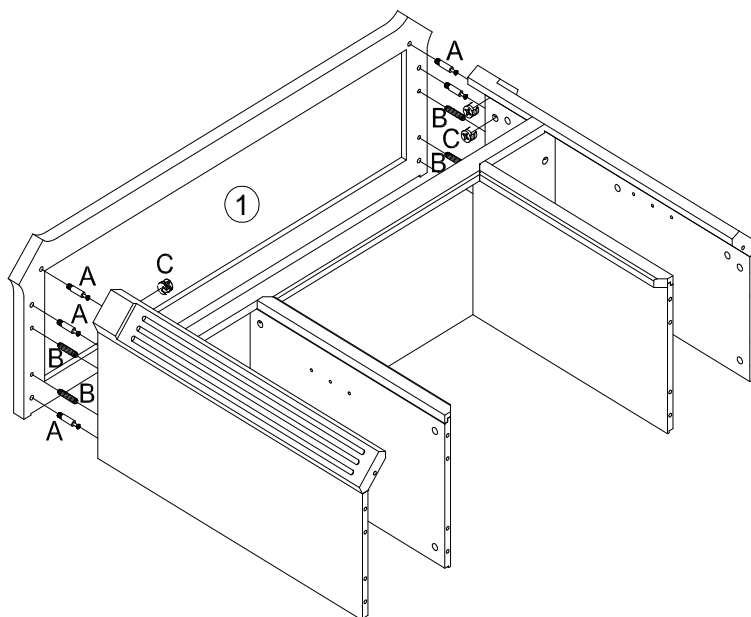


Figure 4

Insert cam locks (C) into predrilled holes on pre-assembly in figure 3
Screw cam bolt (A) into predrilled holes on top panel (1).

Attach top panel (1) to pre-assembly parts in figure 3 by inserting wood dowel (B) & cam bolt (A) into corresponding predrilled holes until assemble parts in figure 3 & top panel (1) meet.

Secure by rotating cam lock (C) clockwise with Phillips screwdriver.

ATKINSON MEDIA FIREPLACE

Assembly Instructions

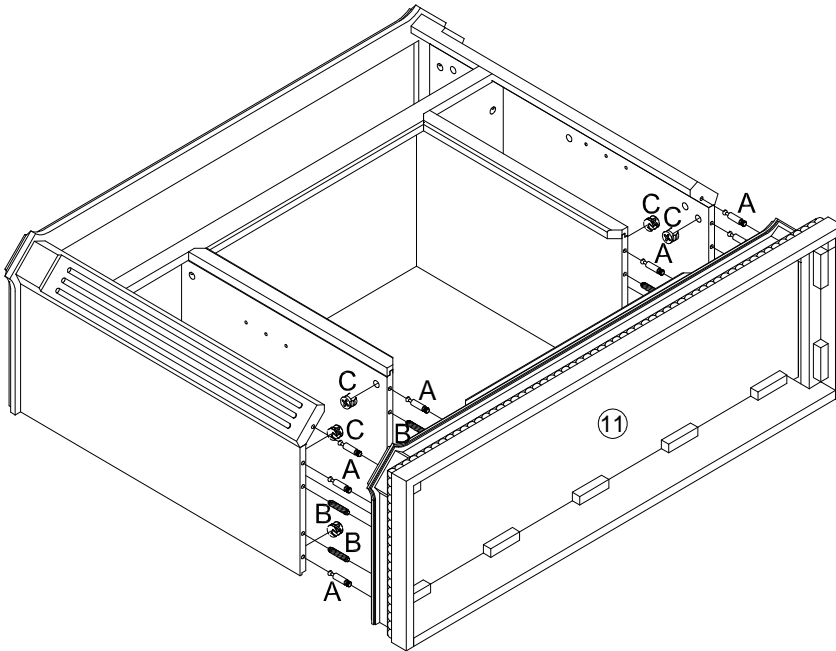


Figure 5

Insert cam locks (C) into predrilled holes on pre-assembled unit in figure 4
Insert cam bolt (A) into predrilled holes on bottom panel (11).
Attach bottom panel (11) to pre-assemble unit in figure 4 by inserting wood dowel (B) & cam bolt (A) into corresponding predrilled holes until assemble parts in figure 4 & bottom panel (11) meet.
Secure by rotating cam lock (C) clockwise with Phillips screwdriver.

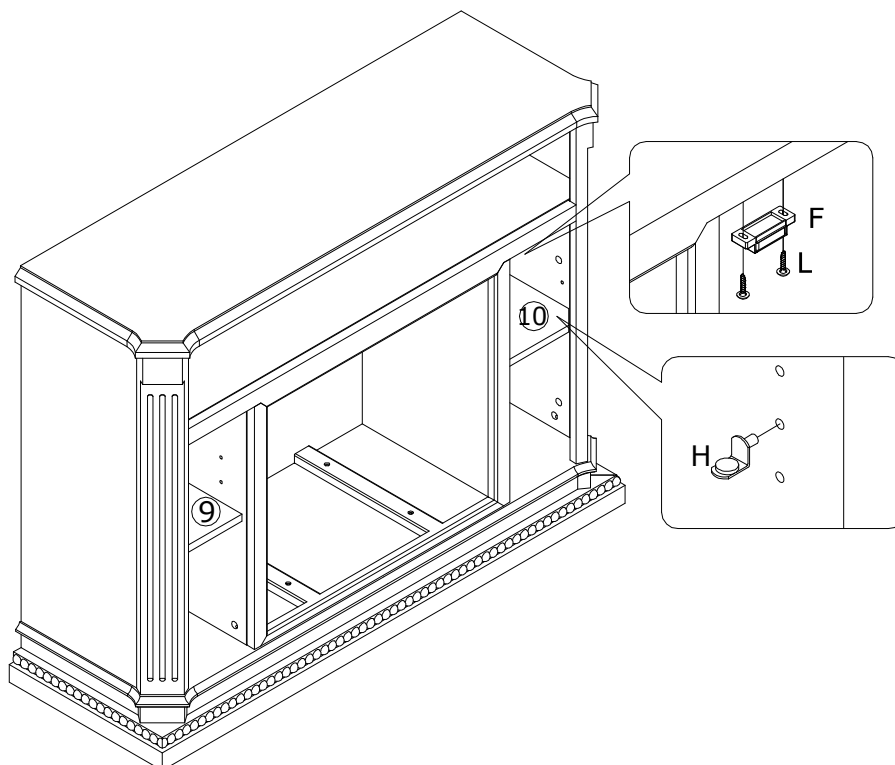


Figure 6

Assembly the magnet catch (F) under the shelf panel by screw (L).
Insert the shelf pins (H) into the pre-drilled hole on the side panels and middle panels, as well put the shelf panels (9) & (10) on it.

ATKINSON MEDIA FIREPLACE

Assembly Instructions

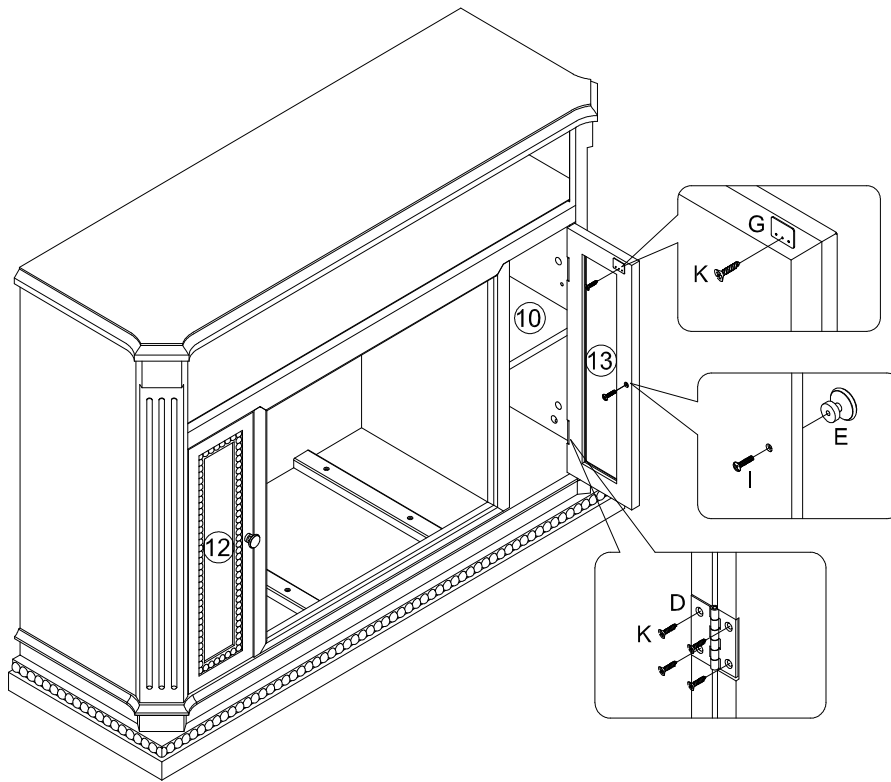


Figure 7

Assembly the right door panel (13) on the pre-assembled unit by hinge (D) and screw (K).

Attach the metal plate (G) on the up inside of door panel by screw (K) to let it can match the position of the magnet catch.

At last, attach the door handle (E) on the door panel by bolt (I) as shown.

Repeat the same way to assembled the left door panel (12) on the unit.

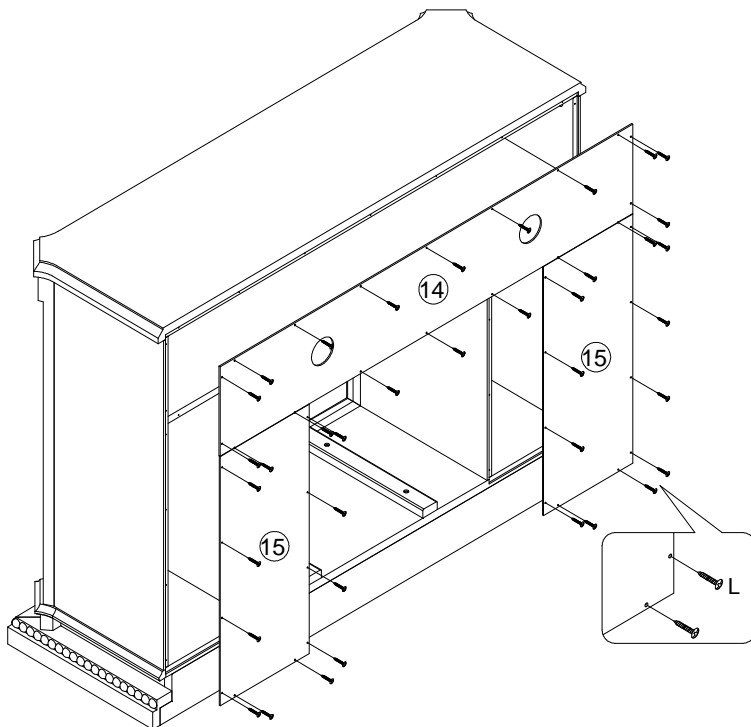


Figure 8

Attach the upper back panel (14) and lower back panels (15) on the pre-assembled unit by screw (L) and tightening with Phillips screw driver (not included) as shown.

ATKINSON MEDIA FIREPLACE

Assembly Instructions

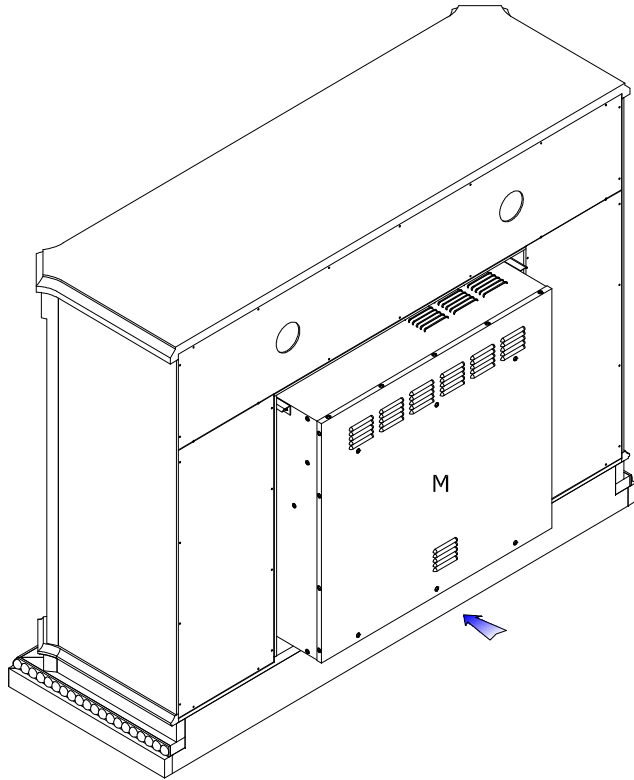


Figure 9

Well put the fireplace (M) into the cabinet and avoid any scratch.

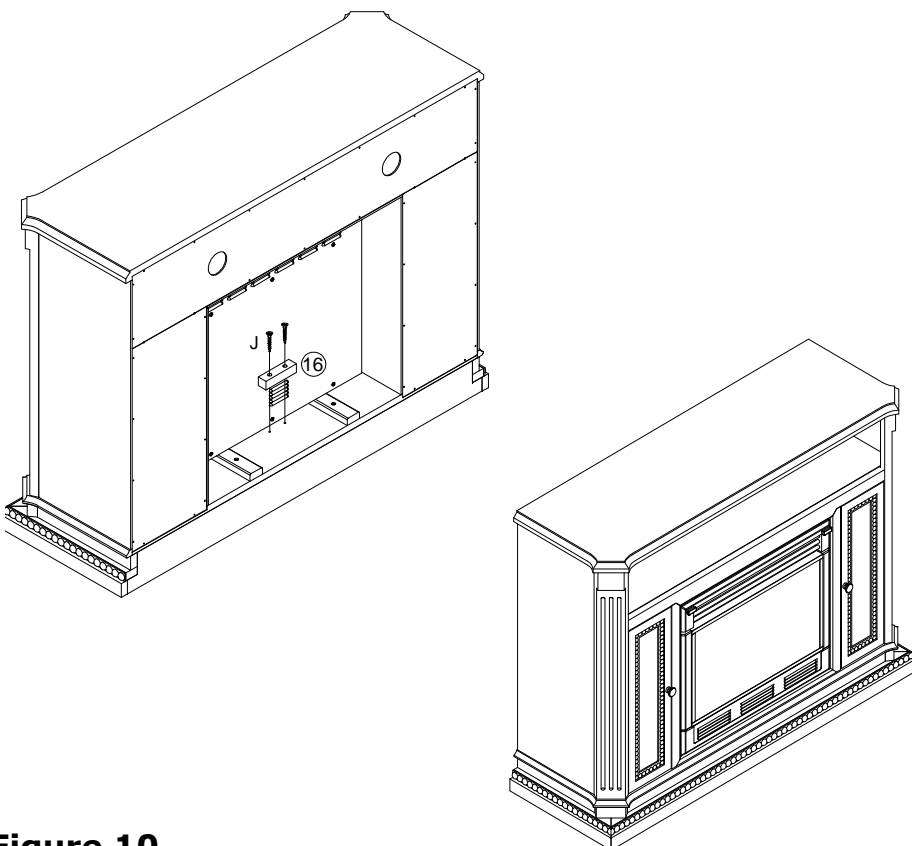


Figure 10

Attach the wood holder(16) on the base by screw (J) and tightening with Phillips screwdriver (not included) as shown.

Now you can enjoy your new fireplace.

Parts Replacement Form

Name _____

Address _____

City/State/Zip Code _____

Phone Number _____

Please indicate where you purchased this item: Store/Website/Catalog

Please indicate color/size/style number:

Style No	Parts Letter	Parts Description	Quantity Needed
_____	_____	_____	_____
_____	_____	_____	_____
_____	_____	_____	_____

Please immediately examine this product carefully. Any request for missing parts or damage replacement must be received within 90 days of your receipt of the product. Replacement, if available, will be honored within this time frame. Parts will not be available for items arriving fully assembled. We do not recommend modifying product(s) and we are not responsible for any damages due to product modification(s). If damages or missing parts are not reported within 90 days of your receipt, we are under no obligation to provide parts or replacement merchandise. Please contact Southern Enterprises at 800-633-5096 or in Dallas 972-869-0111/ 9am – 4pm Mon-Fri Central time if you have product issues or email us at service@seidal.com. Please ask for customer service representative for issues involving damages or replacement parts. Please ask for technical assistance representative for any issues with product and assembly/construction.

Please contact the retailer that you purchased from for returns.

Customer Service 1-800-633-5096

service@seidal.com

Southern Enterprises, Inc.

600 Freeport Parkway, Suite 200

Coppell, Texas 75019



Southern
ENTERPRISES



CAUTION

The top shelf is intended for a flat screen television with a maximum overall width of 38" and supports up to 85lb.

VCR shelf should not be loaded with more than 20 lb.

Each side shelf should not be loaded with more than 10 lb.

DO NOT EXCEED RECOMMENDED LOAD. Use with products heavier than the maximum sizes and weights indicated may result in instability causing possible injury.

This unit contains a permanent warning sticker located on back panel.

Do not allow children under 16 years old to move the cart.

Model: FA935200TX -RICH BROW

ATKINSON MEDIA

FIREPLACE MANTEL

Southern Enterprises, Inc

600 Freeport Parkway, Suite 200

Coppell, Texas, 75019

Manufacture Date: