

30" Self-trimming Electric Firebox

DF3015

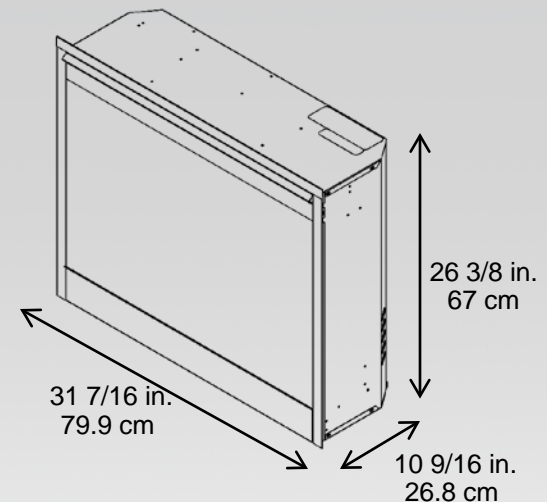
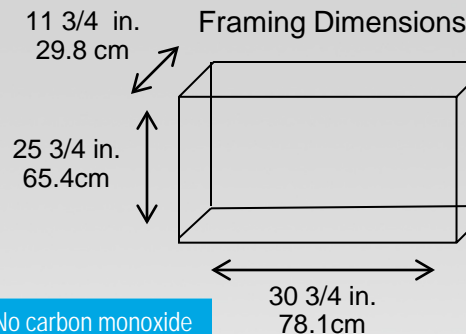
Product Description

- 120 volt plug-in firebox with thermostat controlled fan-forced heater
- Patented electric flame technology
- Pulsating embers and LED inner glow logs molded from wood logs for incredible realism
- Purifire® air treatment system filters airborne allergens and particulates
- Refractory brick-look interior
- Clean, self-trimming design – no separate trim required
- Operates with flame only or flame and heat
- Safe, clean electric operation
- Adjustable interior light and flame speed control
- 120 Volts / 1,500 Watts / 5,120 BTU



Accessory

- WRCPF-KIT – Wall switch remote control



Includes multi-function remote control

Model #	Description	lbs/kg	UPC	Wty. †	Carton Dimensions (W x H x D)		Cube	
					Inches	cm	ft ³	m ³
DF3015	30" self-trimming electric firebox with refractory brick look interior	67 / 30.5	781052 043213	5 yr.	36 x 28.5 x 14	1.4 x 72.4 x 35.6	8.3	0.24
ET30-2DR-BN	Brushed nickel twin screen doors	15 / 6.8	781052 045019	1 yr.	37.8 x 2.6 x 31.6	95.9 x 6.5 x 80.3	1.8	0.05

Patent protected; for a complete list of applicable patents visit: www.dimplex.com/patents. Specifications, finishes and dimensions are subject to change and should be taken as a guide only.

* Based on average national residential electricity rates. Rates vary. † Limited warranty. © 2011 Dimplex North America Limited.