

"CALVERT" CARVED FIREPLACE

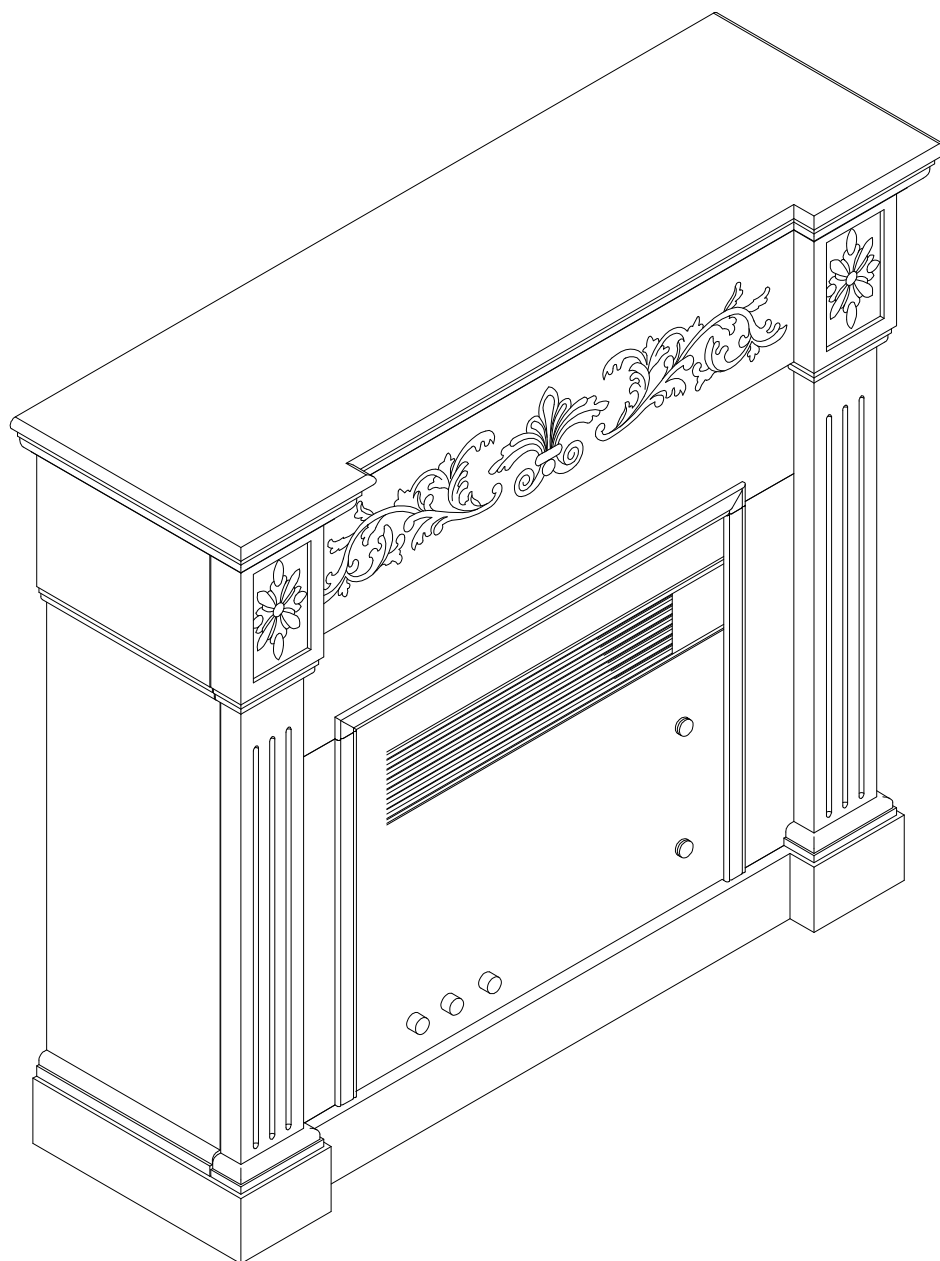
FA927800TX-ESPRESSO

FA927900TX-IVORY

ASSEMBLY INSTRUCTION


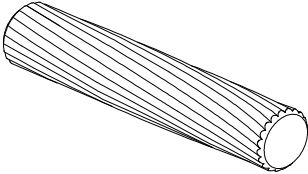
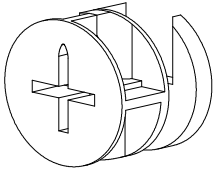
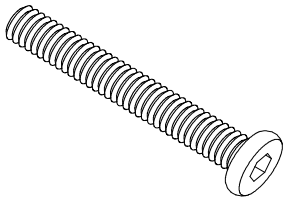
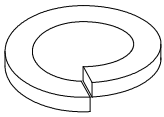
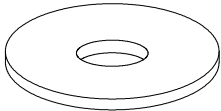
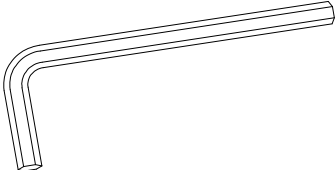
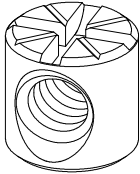
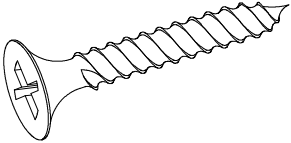


For assistance with assembly contact:
Southern Enterprises Inc.
Customer Service 1-800-633-5096
service@seidal.com
www.seidal.com



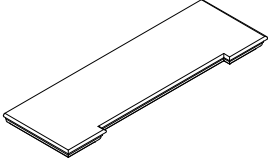
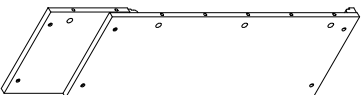
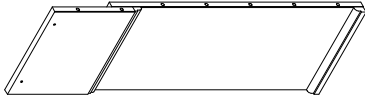


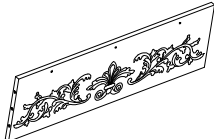
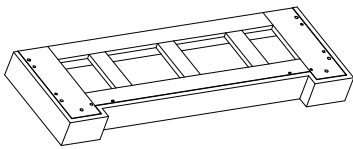
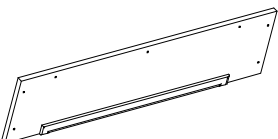
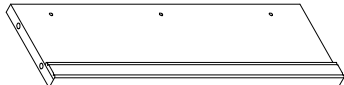
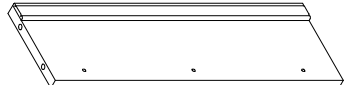
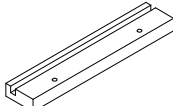
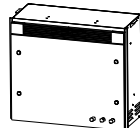
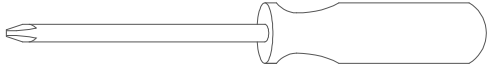
"CALVERT" CARVED FIREPLACE Parts List

Please review all parts and hardware before disposing of any packaging.
Call Customer Service if missing hardware. Do not return to store/retailer.
Using a screw that is too long will cause damage.
Before beginning assembly, separate each type of screw. Carefully study the
screw diagrams below. You may receive extra hardware with your unit.

A  CAM BOLT	Quantity of 12 B  WOOD DOWEL
C  CAM LOCK	Quantity of 12 D  SOCKET HEXAGON BOLT
E  SPRING WASHER	Quantity of 6 F  FLAT WASHER
G  ALLEN WRENCH	Quantity of 1 H  CROSS SOCKET NUT
I  WOOD SCREW (2 EXTRAS INCLUDED)	Quantity of 26

"CALVERT" CARVED FIREPLACE Parts List

Please review all parts and hardware before disposing of any packaging.
Call Customer Service if missing hardware. Do not return to store/retailer.
Using a screw that is too long will cause damage.
Before beginning assembly, separate each type of screw. Carefully study the
screw diagrams below. You may receive extra
hardware with your unit.

<p>(1)</p>  <p>Quantity of 1</p> <p>TOP PANEL</p>	<p>(2)</p>  <p>Quantity of 1</p> <p>LEFT SIDE PANEL</p>
<p>(3)</p>  <p>Quantity of 1</p> <p>RIGHT SIDE PANEL</p>	<p>(4)</p>  <p>Quantity of 1</p> <p>LEFT FRONT PANEL</p>
<p>(5)</p>  <p>Quantity of 1</p> <p>RIGHT FRONT PANEL</p>	<p>(6)</p>  <p>Quantity of 1</p> <p>UPPER FRONT PANEL</p>
<p>(7)</p>  <p>Quantity of 1</p> <p>BASE</p>	<p>(8)</p>  <p>Quantity of 1</p> <p>MIDDLE FRONT PANEL</p>
<p>(9)</p>  <p>Quantity of 1</p> <p>MIDDLE LEFT FRONT PANEL</p>	<p>(10)</p>  <p>Quantity of 1</p> <p>MIDDLE RIGHT FRONT PANEL</p>
<p>(11)</p>  <p>Quantity of 2</p> <p>INSERT FIXED BAR</p>	<p>(12)</p>  <p>Quantity of 1</p> <p>INSERT (sold in a separate carton)</p>
<p>Care and Cleaning Instructions: Before using, wipe with a clean, dry cloth. Periodically apply furniture wax to renew the finish . Avoid rubbing or scratching the surface with rough or abrasive objects. For replacement parts or questions, please</p>	<p>Call Customer Service at 1-800-633-5096 Do not return product to store, please call Manufacturer for assistance, questions or Parts.</p>
<p>Assembly Tool Required No.2 Phillips Screwdriver (Not Included)</p>	

"CALVERT" CARVED FIREPLACE Assembly Instructions

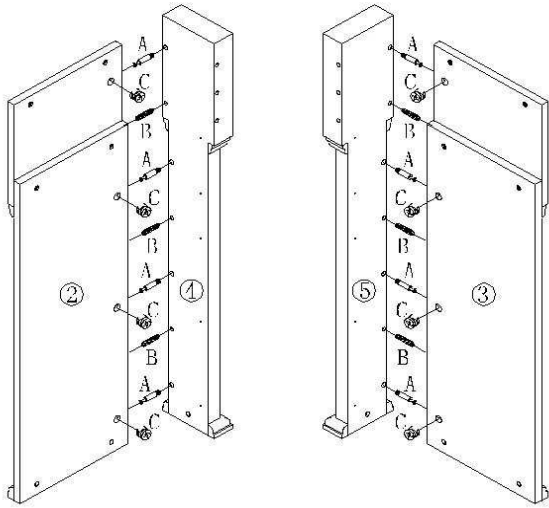


Figure 1

INSERT (A) CAM BOLT & (B) WOOD DOWEL TO THE RELATED HOLES, THEN USE (C) CAM LOCK TO CONNECT (2) LEFT SIDE PANEL & (4) LEFT FRONT PANEL TOGETHER, USE (C) CAM LOCK TO CONNECT (3) RIGHT SIDE PANEL & (5) RIGHT FRONT PANEL TOGETHER

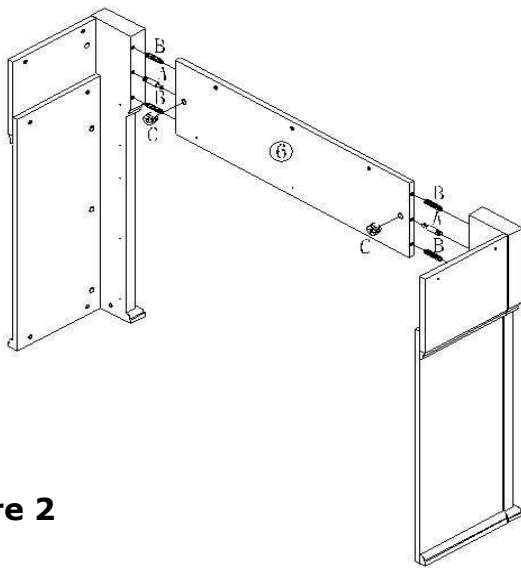


Figure 2

AFTER ASSEMBLED FIGURE 1, INSERT (A) CAM BOLT & (B) WOOD DOWEL TO THE RELATED HOLES, THEN USE (C) CAM LOCK TO CONNECT (6) UPPER FRONT PANEL .

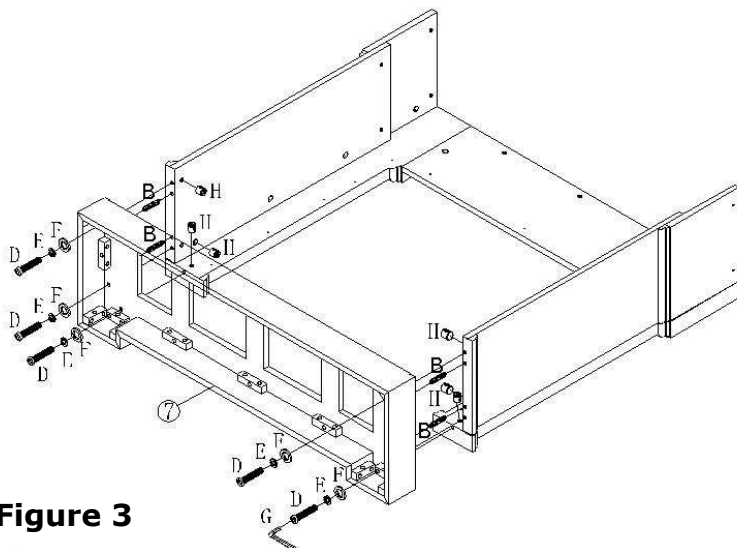


Figure 3

AFTER ASSEMBLED FIGURE 2, INSERT (H) CROSS SOCKET NUT & (B) WOOD DOWEL TO THE RELATED HOLES, THEN USE (D) SOCKET HEXAGON BOLT & (E) SPRING WASHER & (F) FLAT WASHER & (G) SOCKET HEAD WRENCH TO CONNECT (7) BASE .

"CALVERT" CARVED FIREPLACE Assembly Instructions

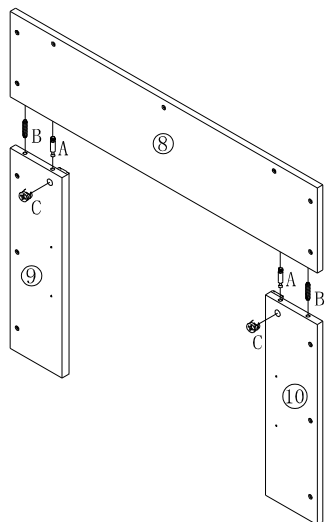


Figure 4

INSERT (A) CAM BOLT & (B) WOOD DOWEL TO THE RELATED HOLES, THEN USE (C) CAM LOCK TO CONNECT (8) MIDDLE FRONT PANEL & (9) MIDDLE LEFT FRONT PANEL & (10) MIDDLE RIGHT FRONT PANEL TOGETHER.

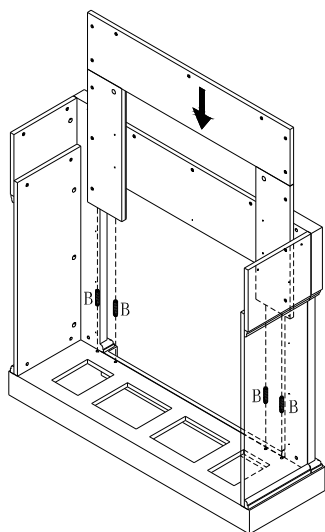


Figure 5

AFTER ASSEMBLED FIGURE 4, INSERT (B) WOOD DOWEL TO THE RELATED HOLES, THEN INSERT THE ASSEMBLED FIGURE 4 INTO THE ASSEMBLED FIGURE 3.

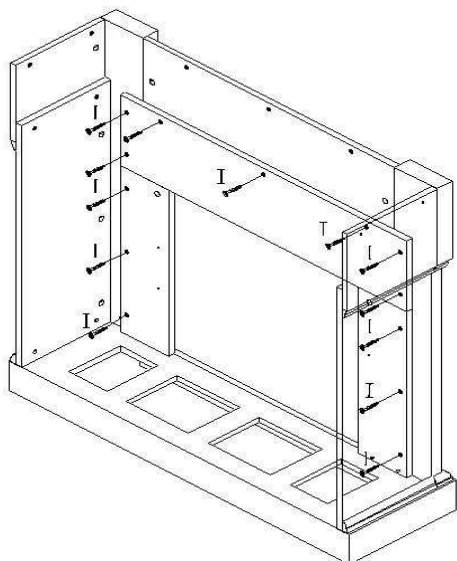


Figure 6

AFTER FINISHED FIGURE 5, INSERT (I) WOOD SCREW INTO THE RELATED HOLES TO LOCK THE PANEL TIGHTLY.

"CALVERT" CARVED FIREPLACE Assembly Instructions

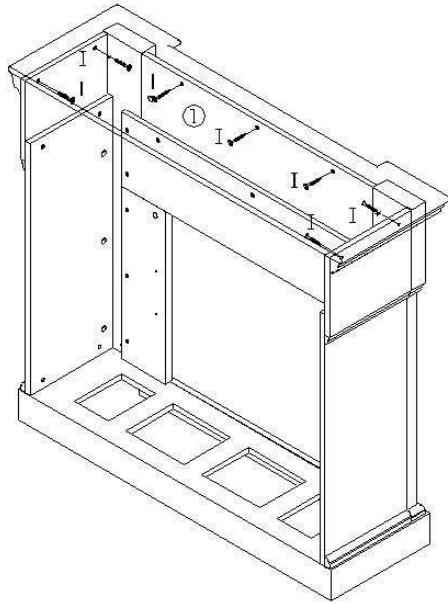


Figure 7

AFTER FINISHED FIGURE 6, THEN INSERT (I) WOOD SCREW INTO THE RELATED HOLES TO CONNECT WITH TOP PANEL, USE SCREWDRIVER TO LOCK IT TIGHTLY.

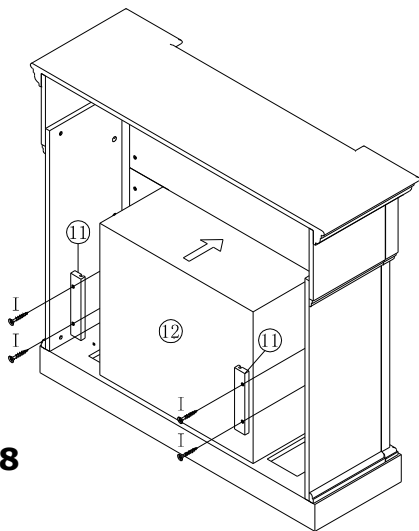


Figure 8

PUSH (12) INSERT TO THE RELATED PLACE OF MAIN BODY, THEN INSERT (I) WOOD SCREW THROUGH (11) INSERT FIXED BAR TO LOCK TIGHTLY.

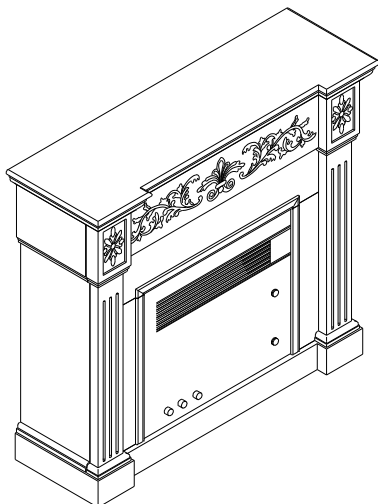


Figure 9



Customer Service 1-800-633-5096

service@seidal.com

Southern Enterprises, Inc.
600 Freeport Parkway, Suite 200
Coppell, Texas, 75019

FA927800TX / FA927900TX - Parts Replacement Form

Customer Information

Name _____

Address _____

City/State/Zip Code _____

Phone Number _____

Please indicate where you purchased this item: Store/Website/Catalog

Please indicate color/size/style number:

Style No	Parts Letter	Parts Description	Quantity Needed
----------	--------------	-------------------	-----------------

_____	_____	_____	_____
-------	-------	-------	-------

_____	_____	_____	_____
-------	-------	-------	-------

_____	_____	_____	_____
-------	-------	-------	-------

Missing or damaged hardware and/or parts will be replaced free of charge. We do not sell parts. Southern Enterprises Inc. will provide replacement parts for only those items purchased within the last 9 months. If this product has not been purchased from our retail affiliates (within 9 months), we are under no obligation to provide parts or replacement merchandise. Parts will not be available for items arriving fully assembled. Parts will be sent if available from SEI

Please contact Southern Enterprises at 800-633-5096 or in Dallas (972) 869-0111/ 9am – 4pm Mon-Fri Central time if you have product issues with your purchase. Please ask for a customer service representative for issues involving damages or replacement parts. Please ask for a technical assistance representative for any issues with product assembly and product construction.

Please contact the retailer that you purchased from for returns.

We'd love to hear from you! Email us photos of our products in your home at sei@seidal.com and we might feature it on our site or use it to model one of our inspirational photos.