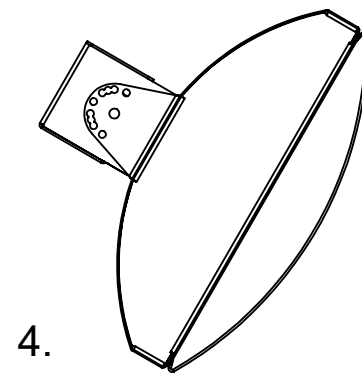
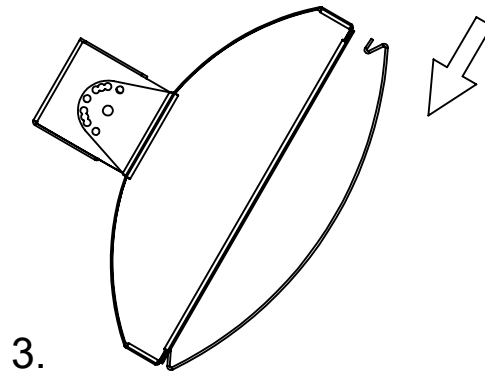
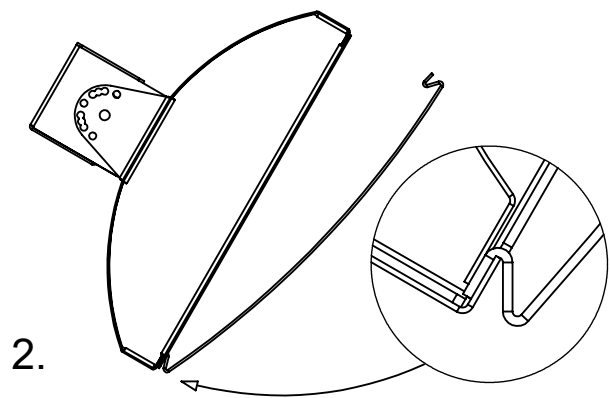


Insert Fascia in between  
Heater Body and Reflector.

Push down to snap  
Fascia into Heater Body.

Insert other end of the  
Fascia into the Heater Body.



Evenly space out gaps between Fascia and End Covers.

