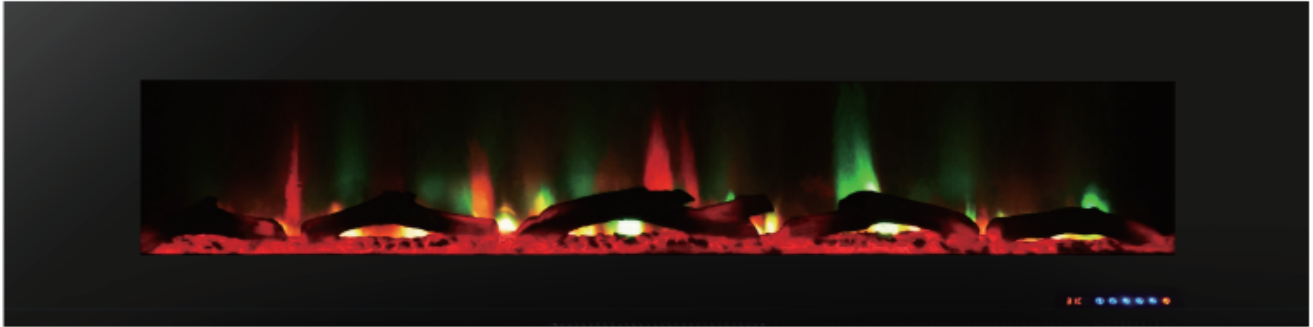


# Installation and Operation Instructions

## ELECTRIC FIREPLACE

### 80018



#### CONSUMER SAFETY INSTRUCTIONS

Read this manual before installing and operating this appliance.

Failure to follow these instructions may result in electrical shock, property damage, personal injury and will void the warranty.

Do not store or use gasoline or other flammable liquids or vapours in the vicinity of this appliance.

INSTALLER: Leave this manual with the appliance.

Consumer: Retain this manual for further reference.

#### PET OWNERS WARNING:

**The health of some small pets including birds are extremely sensitive to the fumes produced during the first-time use of many appliances. These fumes are not harmful to humans but we recommended that you do not use your heater around birds and small pets during its initial use until the manufacturing corrosion coatings burn off.**





## IMPORTANT SAFETY INSTRUCTIONS

To reduce the risk of fire, electrical shock or personal injury, the following must be read before using or plugging this electric fireplace into an electrical outlet.

1. Read all instructions before installation or use.
2. This heater is hot when in use. To avoid burns, do not let bare skin touch hot surfaces. Keep combustible materials such as furniture, pillows, bedding, papers, clothes, and curtains at least 3 feet (0.9 m) away the front of heater and keep them away from the sides and rear of heater.
3. Extreme caution is necessary when any heater is used by or near children and whenever the heater is left operating and unattended.
4. Do not operate any heater with a damaged cord or plug, or after the heater has malfunctioned or has been dropped or damaged in any manner. Return heater to an authorized service facility for repair.

5. Do not use outdoors.
6. This heater is not intended for use in bathrooms, laundry areas and similar indoor locations. Never locate heaters where it may fall into a bathtub or other water container.
- 7 Do not run cord under carpeting. Do not cover cord with throw rugs, runners or the like. Arrange cord away from traffic areas and where it will not be tripped over.
8. To disconnect heater, turn control to off, then removing plug from outlet. Always unplug the heater when not in use.
9. Connect to properly grounded outlet only.
10. Do not insert or allow foreign objects to enter any ventilation or exhaust opening as this may cause an electric shock, fire, or damage the heater.
11. To prevent a possible fire do not block air intakes or exhaust in any manner.
12. Do not use on soft surfaces, like a bed, where openings may become blocked.
13. A heater has hot and arcing or sparking parts inside. Do not use it in areas where gasoline, paint or flammable liquids are used or stored.
14. Avoid the use of an extension cord because it may overheat and cause a risk of fire.
15. Always disconnect power before performing any cleaning or maintenance.
16. When transporting or storing the heater keep in a dry place, keep from excessive vibration in order to avoid damage.
17. Use this heater only as described in manual. Any other use is not recommended by the manufacture may cause fire, electric shock, or injury to persons.
18. The flame effect is powered by a motor; it is normal for the motor to make some noise as it slowly rotates to create the beautiful flame effect. Some rooms with more or less furnishings may result in varying noise amplification.
19. Every effort is made to ensure packing materials are kept outside of the plastic bag which covers your heater in the box; there is a slight chance that some packing may lodge itself in the heater part of the unit. If you notice this on close inspection, please remove it. When turning your heater on for the first time it is normal for the heater to emit a little "new heater" smell which quickly pass.

## HARDWARE CONTENTS

Part	Description			
	Screws	20	20	15

## PRODUCT SPECIFICATIONS / SPECIFICATIONS DU PRODUIT

Voltage	120VAC, 60HZ
AMPS	12.5 AMPS
Watts	1350W
Gross Weight	63.9lbs or 29 kgs
Cord Length	190cm
Product Size	142.2x51.3x12cm

## INSTALLATION OVERVIEW

### Site Selection

Your new fireplace may be wall mounted, installed into existing framing or built into a wall.

Review and consider all of the following conditions for installation:

-Fireplace dimensions.

-Unit requires a minimum of two wall studs in order to ensure a secure installation.

There are two possible installation methods: built-in or wall-mounted.

**Note: A 15 Amp, 120 Volt circuit is required. A dedicated circuit is preferred but not essential in most cases.**

### Before you install

1. Select a location that is not susceptible to moisture or dust, and is away from high traffic locations and objects that may catch fire or block openings such as drapes, pillows, furniture etc.
2. For the best effect, install the fireplace out of direct sunlight and away from overhead lighting.
3. As much as possible, select a location near an existing electrical outlet. Do not use an extension cord with this appliance.
4. Remove appliance, glass panel, pebbles and all hardware from box and remove all packaging related materials prior to installation.
5. Plug the unit in, then press the power key on the unit or remote control (ensure the batteries are installed to remote control). After this, ensure the LED lights are working correctly.
6. Press On/off key to turn off the unit, then pull the plug from the socket. Store the fireplace in a safe, dry and dust free location until you are ready to proceed with the installation.

### BUILT-IN INSTALLATION

For new constructions or renovated areas

Two people may be needed to perform this installation.

1. Select a location that is not prone to moisture and is located at least 3 ft (0.9 m) away from combustible materials such as curtains or drapes, furniture, bedding, paper, etc.
2. Place the appliance in selected location to see how it will look in the future.
3. Mark the desired location on the floor and store appliance in a safe, dry and dust free location.
4. Prepare a wall with a framed opening to accommodate the size of your unit. Leave a gap of at least 1/4" (6cm) around the edge of the appliance. Any new wiring must be done in compliance with local and national codes, and any other applicable regulations.

**WARNING** - To prevent contact with sagging or loose insulation, the electric appliance must not be installed against vapor barrier or exposed insulation. Overheating could occur and fire may result.

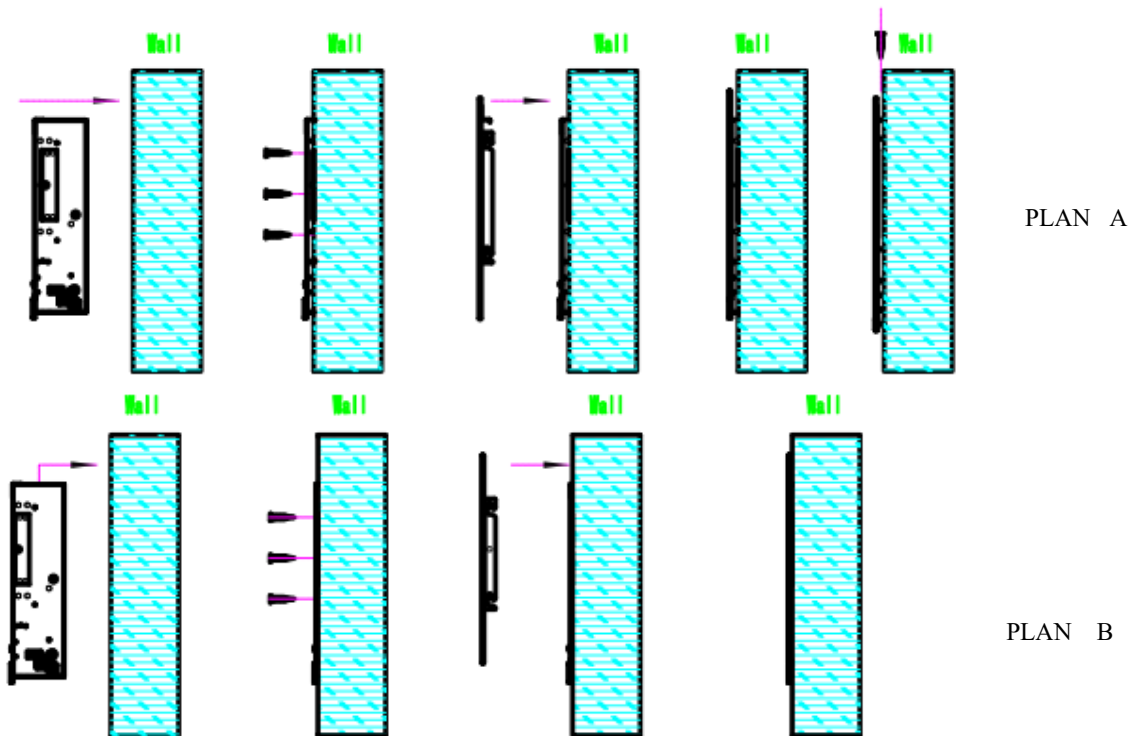
**WARNING** - Do not attempt to wire your own new outlets or circuits. To reduce the risk of injury, electric shock or fire, call a licensed electrician.

### BUILT-IN INSTALLATION

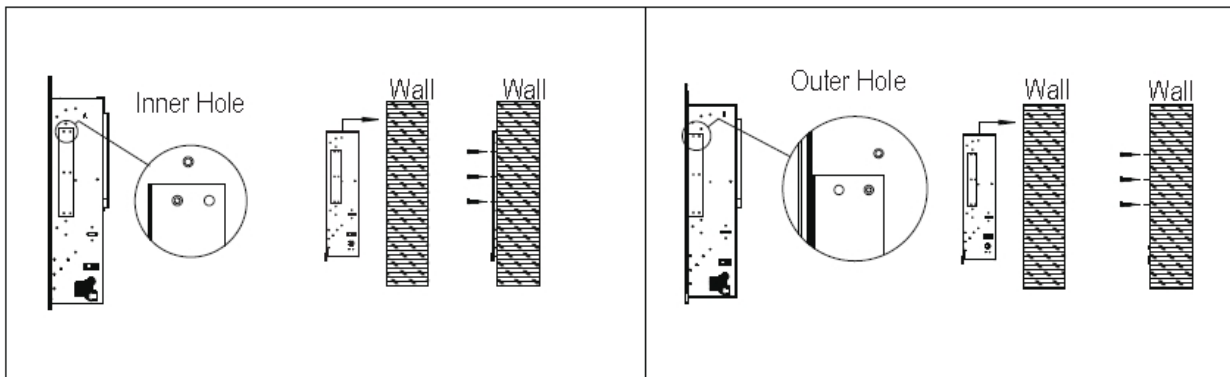
Wall opening size = **W48.5" x H17.5" x D5"**

### INSTALLATION OF THE APPLIANCE

Note: It is recommended to have the unit stand out of the wall by a minimum of 1/2" or 1.5cm (Plan A). If you prefer the appliance to be flush with the wall, please refer to Plan B.



1. Attach the built-in mount bracket to both sides of the appliance.  
(Plan A: Inner Hole; Plan B: Outer Hole; as shown below).
2. Lift fireplace carefully with the help of another person and insert into opening.
3. Make sure that the power supply port is not behind the wall.
4. Level the fireplace.
5. Secure the fireplace to the wall with the built-in mounting bracket (as shown below).

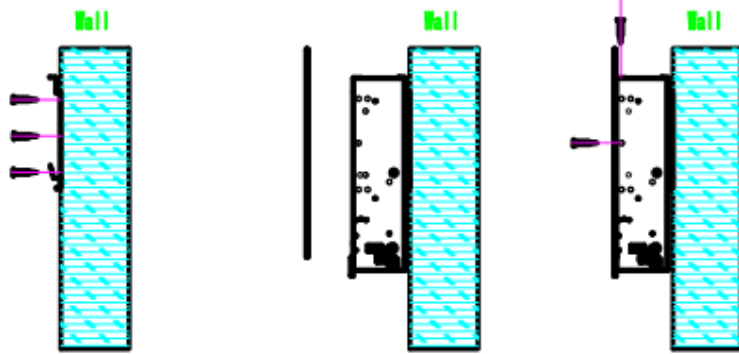


Plan A

Plan B

### WALL MOUNT INSTALTION

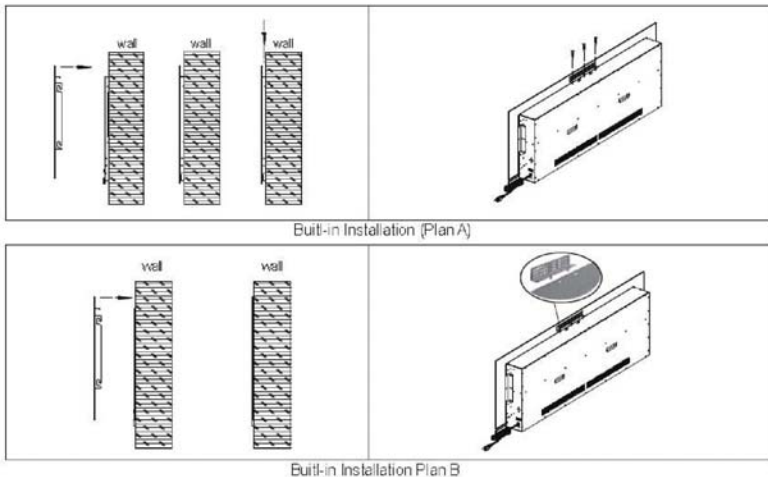
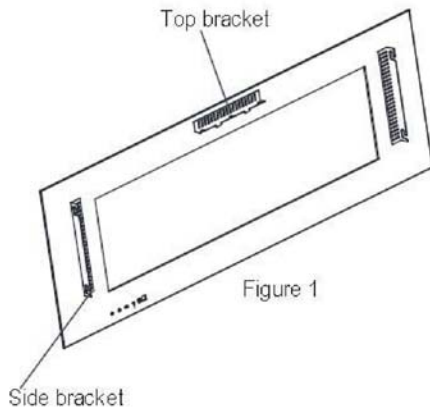
1. Attach the provided wall mounting bracket to the wall. Make sure it is level.
2. Lift appliance unit and insert the stakes for hanging into keyholes on the back of the unit.
3. Check the appliance for stability, ensuring that the appliance will not pull free from the wall.



### GLASS PEBBLES INSTALLATION

Cleaning the glass pebbles: the pebbles may be covered with a fine white dust that needs to be cleaned prior to installation. Clean the pebbles with soapy water, rinse thoroughly and dry before placing into the tray.

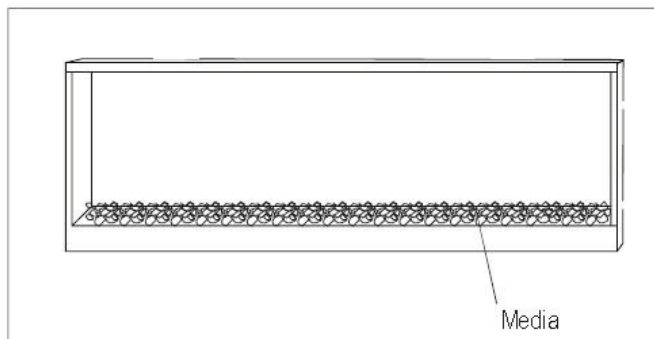
Spread glass pebbles into the fireplace tray as shown below.



## GLASS PANEL INSTALLATION

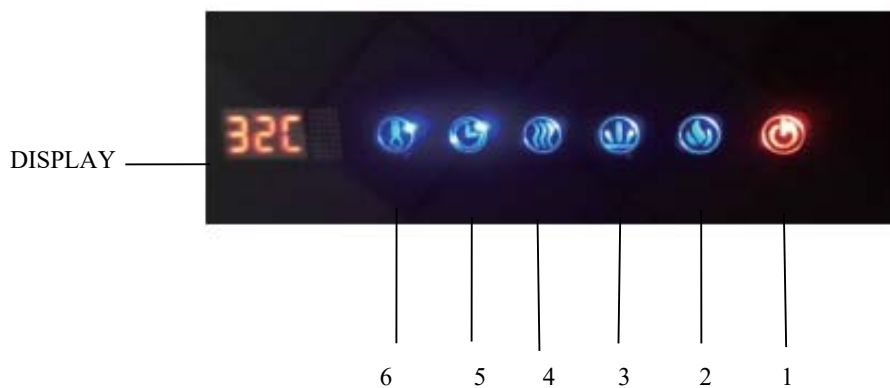
To avoid any risk of injury, it is recommended that two people install the glass onto the appliance. Always wear safety glasses and gloves when handling glass.

7. Lift glass panel and line up with the top bracket (figure 1). Fasten panel to the appliance as shown below.
8. Lock the side brackets (figure 1) with appliance body as shown below.
9. Screw the top bracket to appliance for both wall-mount installation and built-in installation (Plan A).



## OPERATING INSTRUCTIONS

### Control panel/Functions



### LOCATION

The master power switch is located on the right side of the appliance. The control panel is on the right corner of the glass.

## MASTER SWITCH

The master switch controls the power supply to the appliance. Turn the switch to “I” to connect power and turn the switch to “O” to cut the power. There will be a chiming sound when turning to “I”.

### 1.POWER ON/OFF

Touch the button once (flame will light up) to turn power on for all functions , keep the last flame color once appliance off. Touch the button once more to turn all functions off and flame off.

### 2.FLAMEADJUSTMENT

Touch the button to turn flame on. There are 10 levels in total for change colors as press button times. The display will show F1(the orange color),F2(the orange and green color),F3(green color),F4 ( green and blue color ) F5(blue color),F6(blue and orange color),F7(blue and orange and green color),F8(blue and red color),F9(red color),F0 (all colors loop) to changes the different flame color .

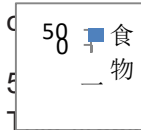
### 3.CHARCOAL FIRE COLOR

Touch the button to turn charcoal fire on. There also have 10 levels in total for change colors as press this button times. The display will show C1(the orange color),C2(the orange and green color),C3(green color),C4 ( green and blue color ) C5(blue color),C6(blue and orange color),C7(blue and orange and green color),C8(blue and red color),C9(red color),C0 (all colors loop) to changes the different charcoal fire as same as flame color .

### 4.HEAT SETTINGS

This fireplace consists of a fan forced electric heater with two heat settings: 700W (“LO” shown in display) and 1350 W (“HI” shown in display). Touch the button once (the icon will light up) to activate the heater at its low level (700W). Touch the button once more to active the heater at its high level (1350W). When set in high level, touch the button once again to deactivate the heater.

Note: The fan will continue to run for a short time and turns off automatically after the heater is turned



The fireplace is equipped with a timer ranging from 1hr to 9hrs, in 1-hour increments (1H, 2H....9H is shown in display). Touch the button once for every 1hr increment.

Do not leave heater unattended.

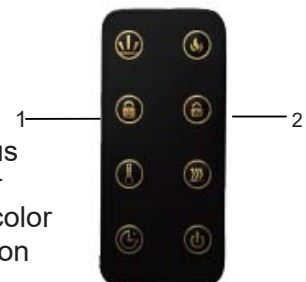
6.This machine has two kinds of temperature display.they were degrees Celsius and Fahrenheit .the display shows C and F.Default F degrees once turn the machine on, Temperature Range dsplay shows from (86° F,84° F,82° F.....to 62° F),if you want to change F to C just long press 10 seconds .And the C temperature range display shows from (30° C,29° C,28° C....to 17° C).After setting finish temperature ,the display will disappear automatically

## REMOTE CONTROL FEATURES

-Install the CR025 3V battery (included) in the remote control before use.

The master switch must be turned to “I” to operate the remote control.

All almost functions are the same as on the control panel as listed on previous page.But you will notice that No.1 and NO.2 lock button .They were lock color of flame and charcoal fire .You can press NO.2 button to lock any changing color during display shows F0 loop as you like .Also you can press NO.1 lock button To choose any charcoal fire as you like during display shows C0 .



## TROUBLESHOOTING

Disconnect power before performing any maintenance and allow the fireplace to cool before servicing. Only a qualified service person should service and repair this electric fireplace.

<b>SYMPTOM</b>	<b>POSSIBLE CAUSES</b>	<b>CORRECTIVE ACTION</b>
Fireplace doesn't work.	Fireplace inner components are overheating or the home circuit breaker has tripped.	Reset switch by turning master switch off and waiting for 5mins, then turning it back on.
Flame is not moving.	Wiring may be loose or the flame motor may be defective.	Call customer service for instructions.
Dim or poorly visible flame or glass pebbles aren't glowing.	LED lights are burnt out or the wiring is loose.	Call customer service for instructions.
Flame sputters.	Flame motor is defective.	Call customer service for instructions.
Remote control does not work.	Low battery. Master switch is in "OFF" position.	Change the battery for remote control. Check to make sure the master switch is turned on.
Circuit breaker trips or fuse blows when the unit is on.	Improper circuit current rating.	Call customer service for instructions.
Heater does not provide heat when turned on.	Thermal switch has been tripped. Circuit breaker has been tripped.	Turn the unit off and unplug the unit for 5mins. Plug back in and turn on the unit. Turn off circuit breaker that supplies electricity to the unit, wait 5mins, then flip circuit breaker back on.
Appliance turns off and will not turn on.	Appliance has overheated and its safety device has caused the thermal switch to disconnect. House circuit breaker has tripped.	Unplug the appliance, allow to cool for 15mins, then plug back in. Reset the house circuit breaker.

## Temperature Limiting Control

This fireplace is equipped with a temperature limiting control device. Should the fireplace reach an unsafe temperature, the fireplace will automatically turn off. To reset, turn off and unplug unit, wait 5mins, plug it back in and continue use.



